

COLOR SERVER FIERY XJ PLUS
PARTS CATALOG

PARTS CATALOG

INTRODUCTION

This chapter instructs you the numbers and names of parts on this machine.

INDEX to PARTS CATALOG

FIERY XJ PLUS

(A724)

COLOR SERVER FIERY XJ PLUS (A724)

PARTS CATALOG

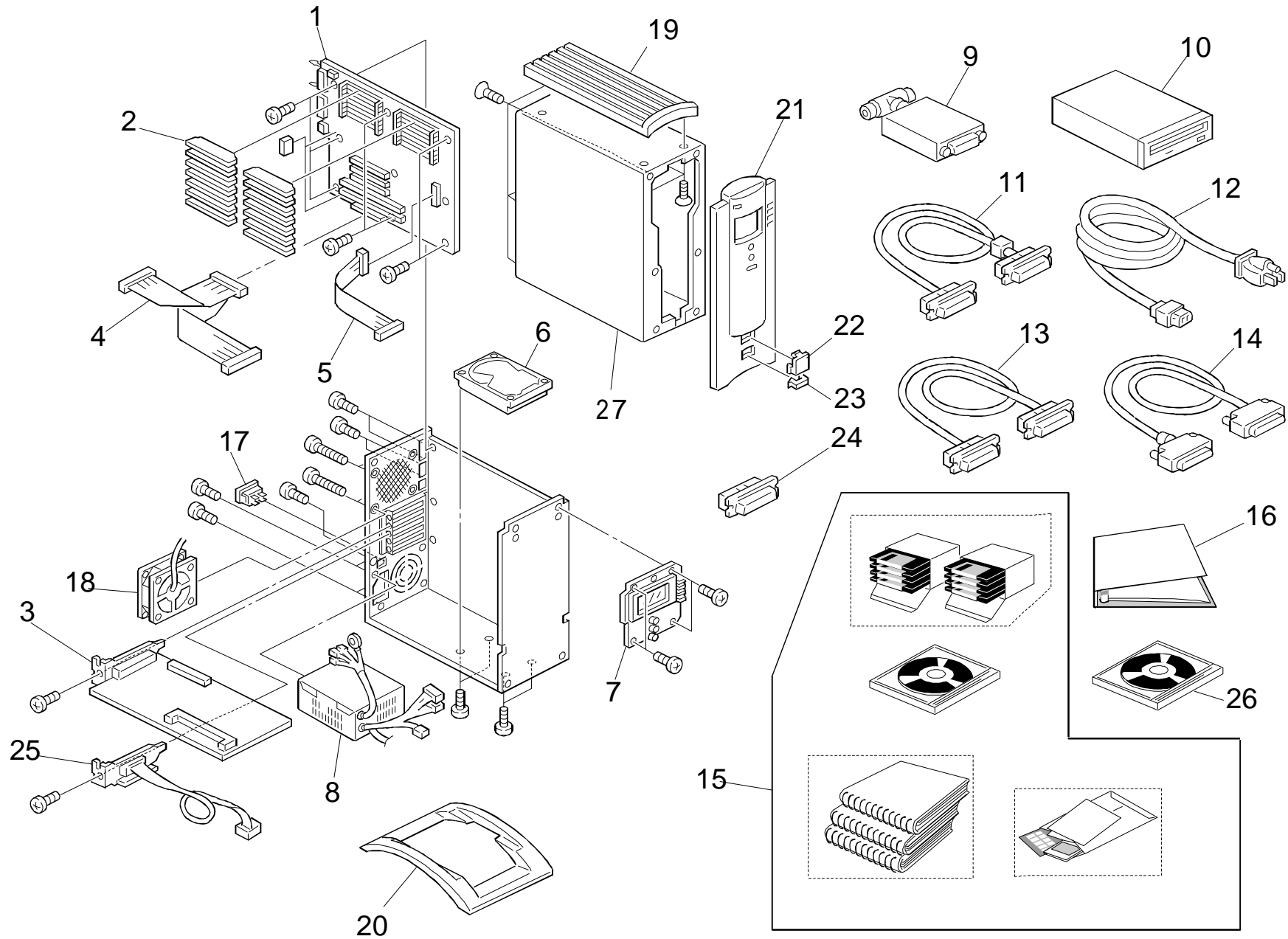
INTRODUCTION

This chapter instructs you the numbers and names of parts on this machine.

INDEX to PARTS CATALOG

1.XJ PLUS (A724-15/16/17/18)	2
2.COMMAND WORKSTATION (A724-34)	4
3.TOKEN RING KIT (A724-32)	6
PARTS INDEX	9

1. XJ PLUS

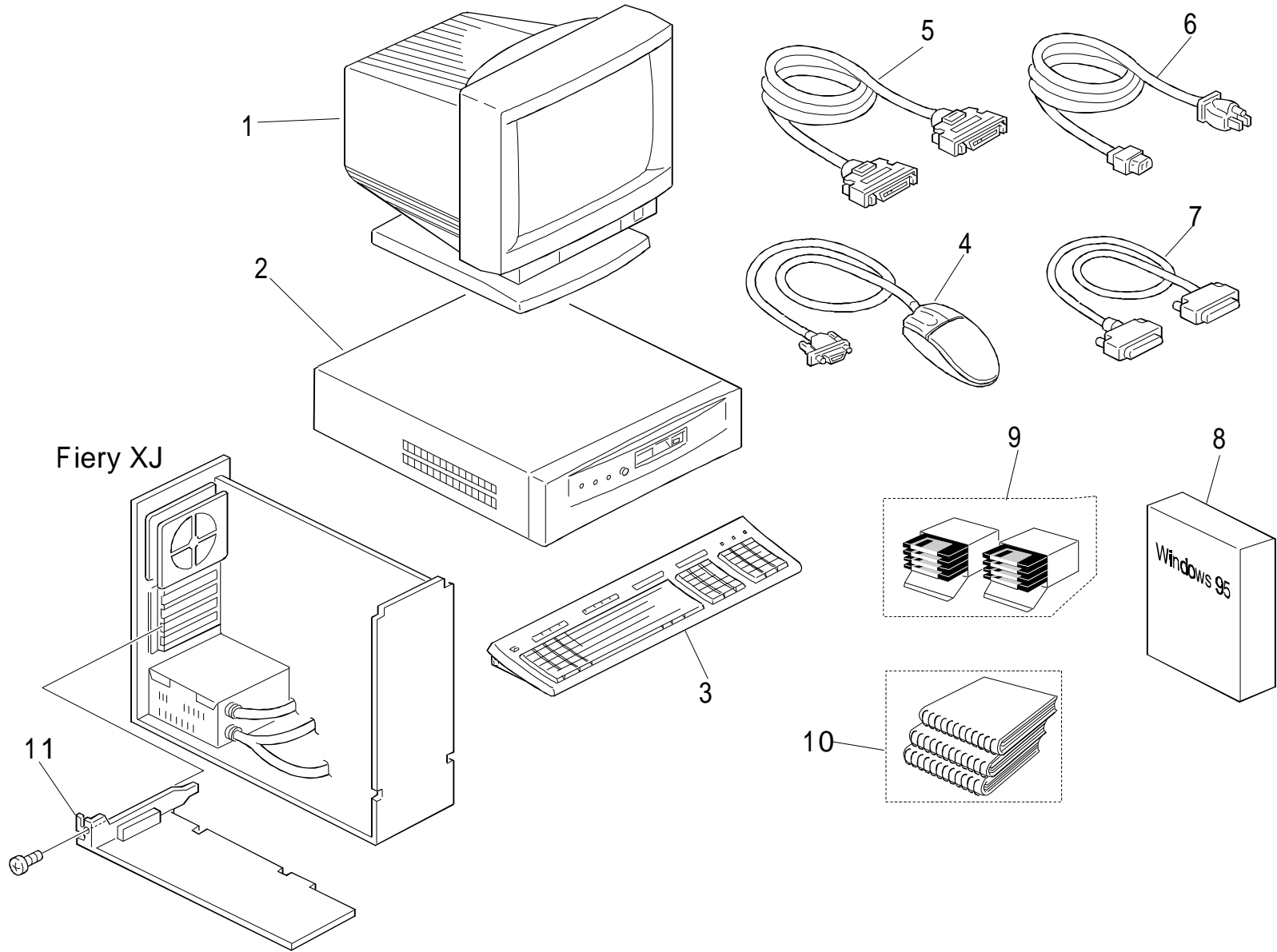


1. XJ PLUS

Index No.	Part No.	Description	Q'ty Per Assembly
# 1	A724 5180	Mother Board W/O SIMMS	1
# 2	A724 5072	4MB SIMM	4
# 2	A724 5071	8MB SIMM	4
# 2	A724 5120	32MB SIMM	[4]
# 3	A724 5184	XJ - R/R2 Video Board	1
4	A724 5077	SCSI Internal Harness	1
5	A724 5079	User I/F Board Harness	1
# 6	A724 5171	850MB SCSI HDD W/O S/W	1
# 6	A724 5093	1GB SCSI HDD W/O S/W	[1]
# 6	A724 5094	2GB SCSI HDD W/O S/W	[1]
# 7	A724 5069	User Interface Board	1
# 8	A724 5075	Power Supply Unit	1
9	A724 5112	AUI/BNC Transceiver	1
#10	A724 5160	CD ROM Drive - External	1
11	A583 6008	SCSI Cable	1
12	A583 6009	Power Supply Cord - USA	1
12	A583 6010	Power Supply Cord - Int'l	1
13	A724 5304	36Pin Centronics Cable	1
14	A724 5078	Video Interface Harness	1
#15	A724 5185	XJ Media Pack - English	1
16	A724 9810	Service Manual - English	1
17	A724 5061	Power Switch	1
18	A724 5076	PAPST Multifan 4312M	1
19	A724 5173	Top Cover	1
20	A724 5064	XJ Stand	1
21	A724 5174	Front Bezel	1
22	A724 5067	Fiery Jewel	1
23	A724 5176	XJ 300 Plus Jewel	1
23	A724 5175	XJ 170 Plus Jewel	1
24	A724 5157	SCSI Terminator	1
25	A724 5182	Local Caribration Cable	1
26	A724 9510	XJ-R/R2 System Software CD ROM v3.0	1
27	A724 5062	XJ Chassis Cover	1
		#:Objective part for RMA [:Option	

Index No.	Part No.	Description	Q'ty Per Assembly

2. COMMAND WORKSTATION

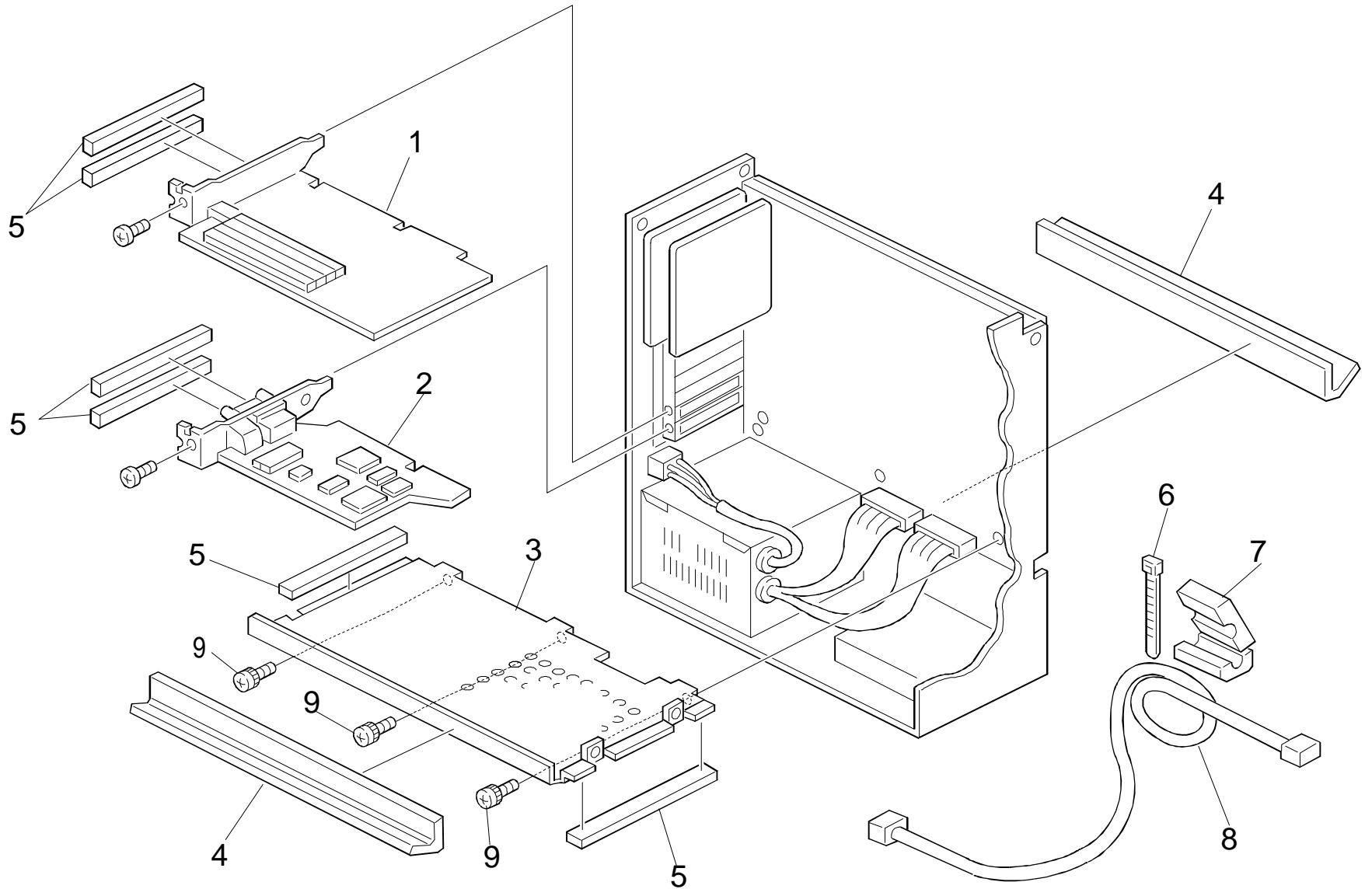


2. COMMAND WORKSTATION

Index No.	Part No.	Description	Q'ty Per Assembly
# 1	A724 5261	15" Monitor	1
# 2	A724 5260	Zeos PC	1
# 3	A724 5266	Key Board - English	1
# 4	A724 5264	Mouse	1
5	A724 5271	ISA Cable	1
6	A583 6009	Power Supply Cord - USA	1
7	A724 5267	SCSI2 Cable	1
8	A724 5268	Win '95 English Software	1
9	A724 5269	Disk Pack Command Workstation - English	1
10	A724 5272	Doc Pack Command Workstarion - English	1
#11	A724 5270	ISA XJ Board	1
#:Objective part for RMA			

Index No.	Part No.	Description	Q'ty Per Assembly

3. TOKEN RING KIT



3. TOKEN RING KIT

Index No.	Part No.	Description	Q'ty Per Assembly
# 1	A724 5276	Token Ring Enable Board	1
# 2	A724 5277	Token Ring Card	1
3	A724 5295	Isolation Plate	1
4	A724 5298	Gaskets 590x675 (2pcs/set)	2
5	A724 5297	Gaskets 125x250 (2pcs/set)	6
6	A724 5300	Cable Ties (2pcs/set)	1
7	A724 5299	Ferrite Suppression Core (2pcs/set)	1
8	A724 5279	Ethernet Cable 10 Base T	1
9	A724 5296	Screws (2pcs/set)	3
#:Objective part for RMA			

Index No.	Part No.	Description	Q'ty Per Assembly

PARTS INDEX

Part No.	Description	Page and Index No.
A724 5061	Power Switch	3- 17
A724 5064	XJ Stand	3- 20
A724 5062	XJ Chassis Cover	3- 27
A724 5067	Fiery Jewel	3- 22
A724 5069	User Interface Board	3- 7
A724 5071	8MB SIMM	3- 2
A724 5072	4MB SIMM	3- 2
A724 5075	Power Supply Unit	3- 8
A724 5076	PAPST Multifan 4312M	3- 18
A724 5077	SCSI Internal Harness	3- 4
A724 5078	Video Interface Harness	3- 14
A724 5079	User I/F Board Harness	3- 5
A724 5093	1GB SCSI HDD W/O S/W	3- 6
A724 5094	2GB SCSI HDD W/O S/W	3- 6
A724 5112	AUI/BNC Transceiver	3- 9
A724 5120	32MB SIMM	3- 2
A724 5157	SCSI Terminator	3- 24
A724 5160	CD ROM Drive - External	3- 10
A724 5171	850MB SCSI HDD W/O S/W	3- 6
A724 5173	Top Cover	3- 19
A724 5174	Front Bezel	3- 21
A724 5175	XJ 170 Plus Jewel	3- 23
A724 5176	XJ 300 Plus Jewel	3- 23
A724 5180	Mother Board W/O SIMMS	3- 1
A724 5182	Local Caribration Cable	3- 25
A724 5184	XJ - R/R2 Video Board	3- 3
A724 5185	XJ Media Pack - English	3- 15
A724 5260	Zeos PC	5- 2
A724 5261	15" Monitor	5- 1
A724 5264	Mouse	5- 4
A724 5266	Key Board - English	5- 3
A724 5267	SCSI2 Cable	5- 7
A724 5268	Win '95 English Software	5- 8
A724 5269	Disk Pack Command Workstation - English	5- 9
A724 5270	ISA XJ Board	5- 11

Part No.	Description	Page and Index No
A724 5271	ISA Cable	5- 5
A724 5272	Doc Pack Command Workstarion - English	5- 10
A724 5276	Token Ring Enable Board	7- 1
A724 5277	Token Ring Card	7- 2
A724 5279	Ethernet Cable 10 Base T	7- 8
A724 5295	Isolation Plate	7- 3
A724 5296	Screws (2pcs/set)	7- 9
A724 5297	Gaskets 125x250 (2pcs/set)	7- 5
A724 5298	Gaskets 590x675 (2pcs/set)	7- 4
A724 5299	Ferrite Suppression Core (2pcs/set)	7- 7
A724 5300	Cable Ties (2pcs/set)	7- 6
A724 5304	36Pin Centronics Cable	3- 13
A724 9510	XJ-R/R2 System Software CD ROM v3.0	3- 26
A724 9810	Service Manual - English	3- 16
A583 6008	SCSI Cable	3- 11
A583 6009	Power Supply Cord - USA	3- 12
A583 6009	Power Supply Cord - USA	5- 6
A583 6010	Power Supply Cord - Int'l	3- 12